


Framery Q

The soundproof meeting pod
for 1-4 people

07/2023

A modern, compact office pod with large glass windows and a dark interior. A man in a red polo shirt is sitting on a grey cushioned bench, smiling. A woman in a dark blue dress is sitting on the opposite side of the bench, facing him. A large screen in front of her displays a video call with the same man in the red shirt. The pod is situated in an office environment with large windows in the background.

Framery Q office pod is a multifunctional, soundproof space for 1-4 people. This pod is ideal for meetings, brainstorming sessions, and important one-on-one conversations in private without disturbing the office – or the office disturbing you. The pod's award-winning design takes a minimum amount of floorspace, fitting seamlessly into your office.

Framery Q – The soundproof meeting pod for 1–4 people



Framery Q Meeting Maggie

Suitable for meetings, brainstorming, gathering face-to-face, getting work done, and much more. Meeting Maggie comes with pleasant LED lighting and two power sockets. Two Maggie sofas with curved or straight backrest and a turnable table are always included.



Framery Q Meeting Maggie Premium

This soundproof, hybrid meeting space can be used by 1–4 people, both in-person and online. A screen bracket and turnable monitor arm makes the layout ideal for videoconferencing, and adjustable lighting & ventilation makes the meeting experience even better. Two Maggie Sofas are always included, and you can choose between curved or straight backrest.



Framery Q Flip n' Fold

The Framery Q Flip n' Fold is a convenient and flexible fully-accessible interior meeting space. Easily accessible with a wheelchair, the low doorstep, automatic door opener, and folding chairs and table enable many different meeting arrangements. Automatic air ventilation creates a fresh and comfortable working environment. The product is easy to assemble and relocate when necessary.



Framery Q Flow

The Framery Q Flow interior layout is designed for uninterrupted heads-down work. It comes with an adjustable electric table that allows you to change your working position from sit-to-stand in a matter of seconds. The Flow has plenty of space inside for a chair and even an extra stool, making it possible to invite your colleague in for a chat or a shared video conference.

Framery Q / Furniture



MAGGIE SOFAS are available with different backrest configurations and with or without armrests. Framery Q Meeting Maggie has two Maggie sofas.



TURNABLE TABLE allows something to be shown from a laptop and leaves room for entering and exiting the pod. Framery Q Meeting Maggie comes with a turnable table.



FOLDABLE SEATS AND TABLE for maximum accessibility. Four foldable seats are included in the Framery Q Flip n' Fold pod, together with a foldable table.

Framery Q / Colors

EXTERIOR

-  White (Standard)
RAL 9016 Glossy
-  White
RAL 9016 Ultramatt
-  Black
RAL 9005 Ultramatt
-  Gray
S 7500-N Ultramatt
-  Navy
S 7020 - R90B Ultramatt
-  Sand
S 2010 - Y20R Ultramatt
-  Powder Blue
3421-R86B Ultramatt
-  Winter Moss
S 7010-G10Y Ultramatt
-  Blush
2728-R01B Ultramatt

INTERIOR

-  Light Gray Felt (Standard)

CARPET

-  Light Gray (Standard)
Ex-dono Quartet #393330
Fletco Carpets











FRAME

-  White (Standard)
F6463 Formica
-  Black
F2253 Formica

TABLE

-  White (Standard)
White laminate
-  Black
Black Laminate with
anti-fingerprint surface

SEATING FABRIC

-  Maggie Gray (Standard)
Canvas #154 Kvadrat
-  Grape
Select #61190 Gabriel
-  Rose
Select #65117 Gabriel
-  Green
Selected #68209 Gabriel
-  Antimicrobial Highland
Graphite 954 Panaz
-  Graphite
Select #60051 Gabriel
-  Dark Blue
Select #66144 Gabriel
-  Powder Blue
Select #67098 Gabriel
-  Beige
Select #61184 Gabriel
-  Mustard
Select #62098 Gabriel

Framery Q / Optional Functionalities



SCREEN BRACKET is in the center of the back glass and can be fitted with a maximum 27" display with VESA 75 X 75 or 100 X 100 mounting. Compatible with Framery Q Meeting Maggie. By having a screen bracket you can extend the use cases within the pod being able to use display for presentations / hybrid meetings. Option includes screen bracket, display acquired by the customer.



TURNABLE MONITOR ARM allows two users to sit on one side of a Framery, turn display towards them, and both be visible on a camera mounted on it. Compatible with Framery Q Meeting Maggie. Screen bracket is included when selecting turnable monitor arm as an option. Display and camera acquired by the customer.



CONTROL PANEL allows you to adjust ventilation and lighting inside the pod. Compatible with Framery Q Meeting Maggie and Flow. Control panel is a useful option as use cases within larger pods may vary. It is installed on doorwall frame. Option includes the control panel and required wires.



BOOKING BRACKET is a universal booking tablet bracket with a plywood surface attached to the door locking plate. Two sizes available to fit your device. Option includes the bracket and kit required for attachment. Customer acquires the booking tablet and cover for it which is mounted to the bracket. Bracket dimensions: Small 12 x 23 cm / 4.7 x 9.1 in. Large 22 x 30 cm / 8.7 x 11.8 in.



MOVABILITY KIT allows you to easily relocate your FrameryQ without disassembly. Option includes eight castors and fasteners that can be installed to the bottom of the pod. Compatible with Framery Q Meeting Maggie and Flow.



SELF-CLOSING HINGES can be used to make sure the door is not blocking passageways. Available for both left-handed and right-handed door. Option includes set of black hinges for the door. Compatible with Framery Q Meeting Maggie and Flow.



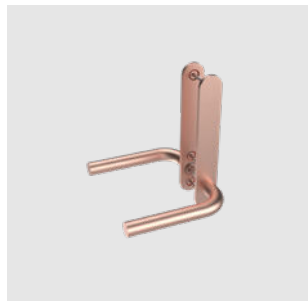
DATA CARTRIDGE FOR POWER OUTLET Power outlet has two power and one USB (C+A) sockets as standard. Data cartridge is attached during installation to power outlet located underneath the table. Option includes a data cartridge with two LAN ports and two LAN cables. Compatible with Framery Q Meeting Maggie and Flow.



ANTI-MICROBIAL POLYESTER FABRIC is an anti-microbial, waterproof, bleach cleanable, stain resistant and durable polyester fabric. Our non-toxic material is safe and ISO 10993-5:2009 tested. Compatible with Framery Q Meeting Maggie.



SMART LOCK COMPATIBLE is a kit of parts that allows selected smart locks and key locks to be installed in FrameryQ. Option includes kit shown in picture. Smart lock itself is acquired by the customer. Compatible with Framery Q Meeting Maggie and Flow.



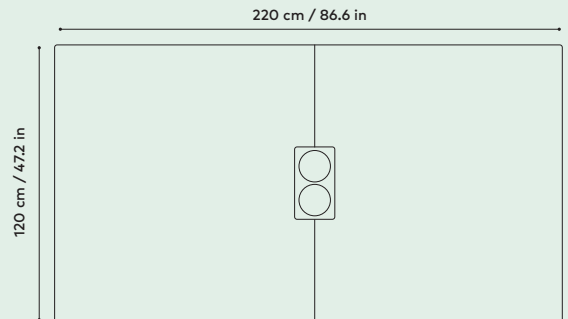
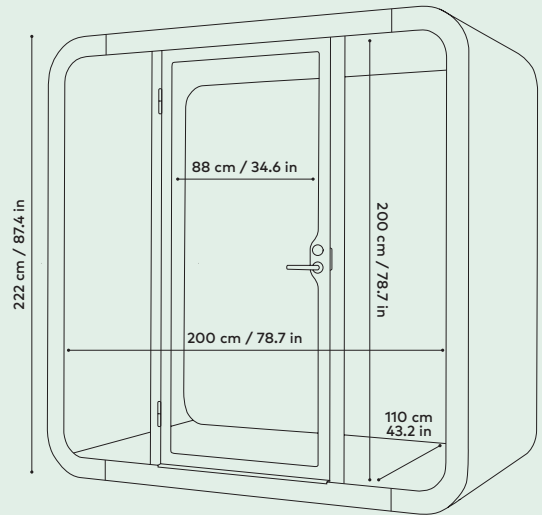
COPPER-PLATED DOOR HANDLE helps to prevent the spread of viruses. According to a study by Centers for Disease Control and Prevention (CDC), viruses disintegrate quicker after landing on copper surfaces than on plastic or stainless steel surfaces. Option includes copper-plated door handle. Compatible with Framery Q Meeting Maggie and Flow.

Framery Q

TECHNICAL SPECIFICATIONS

Size	EXTERIOR 222 × 220 × 120 cm / 87.4 × 86.6 × 47.2 in (h,w,d). With castors (comes with movability kit) extra 2 cm / 0.8 in height.
Weight	630kg / 1389 lb (without furniture)
Ventilation Space	Min. recommended space for air to circulate: <ul style="list-style-type: none"> • Sides: 5 cm / 1.9 in • Above: 15 cm / 5.9 in
Acoustics	29 dB (Speech level reduction according to ISO 23351-1 testing method)
Airflow	Total airflow is 66 l/s, 140 CFM (237.6 m ³ /h). On standby mode the fans are working on 25 % of the maximum power.
Lighting	LED-Light 4000K and 300lux
Exterior materials	EXTERIOR Painted sheet metal. GLASS Sound control laminated glass 5 + 5 mm / 0.2 + 0.2 in. FRAME Formica laminate on birch plywood with varnish trim.
Interior materials	SOLID WALLS AND ROOF A sandwich element of sheet metal, birch plywood, recycled acoustic foam and acoustic felt. FLOOR An anti-static and stain resistant low loop pile carpet. TABLE White Formica laminate on birch plywood with varnish trim.
	Power cord can be led out of the bottom corner of the pod. The cord length outside the pods is 4.5 m / 176.4 in.

DIMENSIONS



Framery Q is
UL GREENGUARD certified



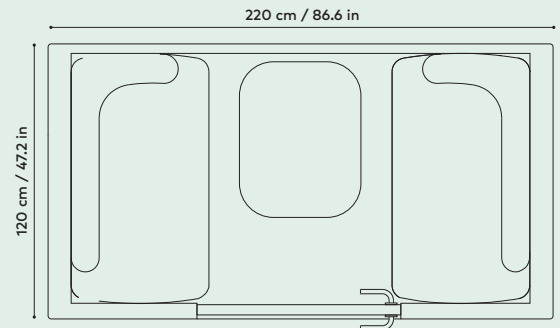
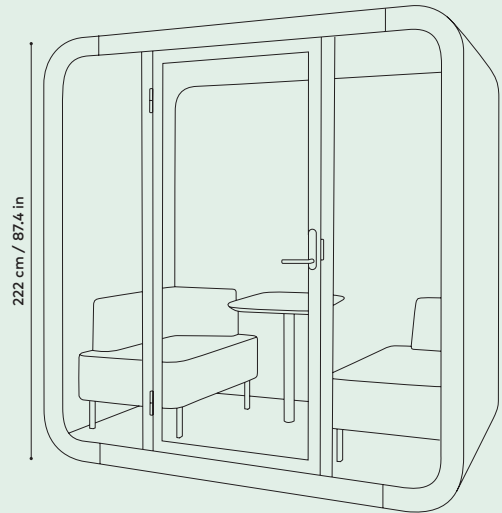
Framery Q shipped in North
America is UL 962 listed

Framery Q Meeting Maggie

TECHNICAL SPECIFICATIONS

Size	EXTERIOR 222 × 220 × 120 cm / 87.4 × 86.6 × 47.2 in (h,w,d). INTERIOR 200 × 200 × 110 cm / 78.7 × 78.7 × 43.2 in (h, w, d). DOORWAY 200 × 88 cm / 78.7 × 34.6 in (h, w).
Lighting	Led light 4000 K and 300 lux.
Ventilation space	Min. recommended space for air to circulate: <ul style="list-style-type: none">• Sides 5 cm / 1.9 in.• Above 15 cm / 5.9 in.
Power consumption	WHILE IN USE 20 W on standard configuration. Standard configuration: <ul style="list-style-type: none">• LED lights: 11 W.• Fans in total: 8.6 W. STANDBY MODE 2.1 W. Input 100–240 VAC, 8.0 A, 50–60 Hz.
Regular table outlets	2 power sockets USB-A+C. Optional Data Cartridge with two LAN ports.
Turnable Table	70 cm × 71 cm × 53 cm (height, width, depth) 26.4 in × 27.6 in × 20.4 in (height, width, depth).
Sofa Options	Maggie sofas are available with straight backrest (standard) or backrest with armrest. Optional fabrics are available including anti-microbial fabric.
Output values	Output AC (power socket) 100–240VAC, 6.6A, 50–60 Hz. Output USB (TUF) charging: Maximum combined output of 5 A at 5 VDC (25 W).
Screen	Maximum display size 27". Maximum weight 15 kg / 33 lbs with flat VESA 75 × 75 or VESA 100 × 100 mounting surface. Screen not included. Power cord can be led out of the bottom corners of the pod. The cord length outside the pods is 4.5 m / 176.4 in. All electric components can be changed if there is a malfunction. Power consumption is a constant value that is determined by the power usage of the pods' internal components (electric unit, motion detector, light and fans). Framery's products can be plugged into a wall socket. The pods have their own power supplies that give 24 V DC to the lights and 12 V DC to the fans. The lights and fans are operated by a motion detector. Inside the pods, there are country-specific power outlets for charging mobile devices.

DIMENSIONS



Framery Q Flow

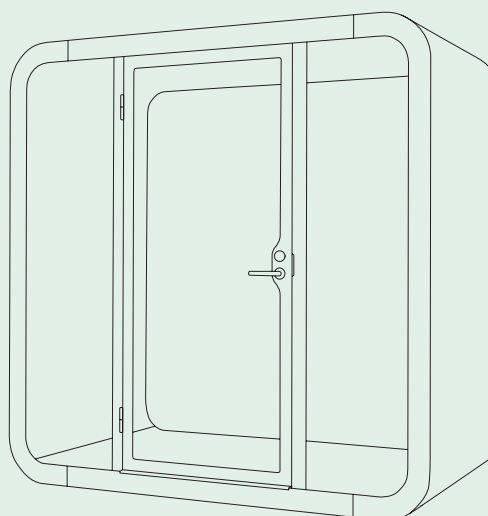
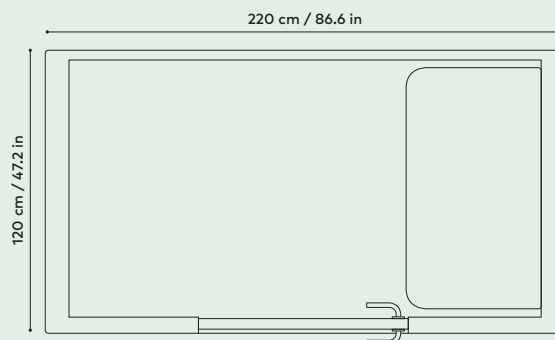
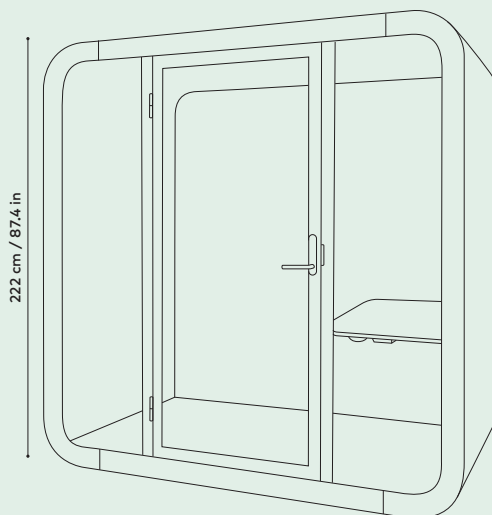
TECHNICAL SPECIFICATIONS

Size	EXTERIOR 222 × 220 × 120 cm / 87.4 × 86.6 × 47.2 in (h,w,d). INTERIOR 200 × 200 × 110 cm / 78.7 × 78.7 × 43.2 in (h, w, d). DOORWAY 200 × 88 cm / 78.7 × 34.6 in (h, w).
Lighting	Led light 4000K and 300 lux.
Ventilation space	Min. recommended space for air to circulate: <ul style="list-style-type: none"> • Sides: 5 cm / 1.9 in. • Above: 15 cm / 5.9 in.
Power consumption	WHILE IN USE 20W on standard configuration. Standard configuration: <ul style="list-style-type: none"> • LED lights: 11 W. • Fans in total: 8.6 W. STANDBY MODE 2.1 W. Input 100–240 VAC, 8.0 A, 50–60 Hz.
Regular table outlets	2 power sockets, USB-A+C Optional Data cartridge with two LAN ports
Output values	Output AC (power socket) 100–240VAC, 6.6A, 50–60 Hz. Output USB (TUF) charging Maximum combined output of 5 A at 5 VDC (25W).
Table	100 × 56 cm / 39.4 × 22 in (w, d) 65–125 cm / 25.6–49.2 in (h) Weight limit: 60 kg / 2.2 lb

Power cord can be led out of the bottom corners of the pod. The cord length outside the pods is 4.5 m / 176.4 in.

All electric components can be changed if there is a malfunction. Power consumption is a constant value that is determined by the power usage of the pods' internal components (electric unit, motion detector, light and fans). Framery's products can be plugged into a wall socket. The pods have their own power supplies that give 24 V DC to the lights and 12 V DC to the fans. The lights and fans are operated by a motion detector. Inside the pods, there are country-specific power outlets for charging mobile devices.

DIMENSIONS



Framery Q Flip n' Fold

TECHNICAL SPECIFICATIONS

Size	EXTERIOR 222 × 220 × 120 cm / 87.4 × 86.6 × 47.2 in (h, w, d). INTERIOR 210 × 200 × 110 / 81.6 × 78.7 × 43.2 in (h, w, d). DOORWAY Clear opening width 91.5 cm / 36 in.
Weight	700 kg / 1543 lb.
Lighting	Led light 4000K and 300 lux.
Ventilation space	Min. recommended space for air to circulate: <ul style="list-style-type: none"> • Sides: 5 cm / 1.9 in. • Above: 15 cm / 5.9 in.
Power consumption	WHILE IN USE 23 W on standard configuration. Standard configuration: <ul style="list-style-type: none"> • LED lights: 13.5W. • Fans in total: 8.6W. STANDBY MODE 2.1W. Input 100–240 VAC, 8.0 A, 50–60 Hz.
Regular outlets	2 power sockets USB-A+C.
Seat	Black Plywood, black fabric. Wall mounted foldable seats.
Foldable table	73 × 70 cm / 28.7 × 27.5 in (w, d). Table height 72cm / 28.3 in.
Wheelchair platform	99 × 60 cm / 39 in × 22.8 in (w, d). Framery Q Flip n' Fold features ADA 2010 compliant T-shaped turning space and threshold.
Output values	Output AC (power socket) 100–240VAC, 6.6A, 50–60 Hz. Output USB (TUF) charging: Maximum combined output of 5 A at 5 VDC (25 W).
Door	Left handed, minimum clear opening width 91.5 cm / 36 in. Automatic door opener button (height 105 cm / 41.3 in). Power cord can be led out of the bottom corners of the pod. The cord length outside the pods is 4.5 m / 176.4 in. All electric components can be changed if there is a malfunction. Power consumption is a constant value that is determined by the power usage of the pods' internal components (electric unit, motion detector, light and fans). Framery's products can be plugged into a wall socket. The pods have their own power supplies that give 24 V DC to the lights and 12 V DC to the fans. The lights and fans are operated by a motion detector. Inside the pods, there are country-specific power outlets for charging mobile devices.

DIMENSIONS

